

PRODUCT OVERVIEW



WebSwitch Plus™ Remote Power Switch is the ideal solution for remote reboot and many remote power control applications. WebSwitch Plus™ has two power outlets which can be independently controlled using a web browser.

It is completely self-contained and includes a built-in web server, so no external servers, services, or subscriptions are required. The WebSwitch Plus™ can be connected to our optional ControlByWeb Cloud service for additional management and data access features.

In addition to remote control, WebSwitch Plus™ has an automatic reboot controller which can be configured to reboot computers or network devices when they become unresponsive. WebSwitch Plus™ excels in remote temperature monitoring, discrete inputs, event scheduling, logging, and email alerts.

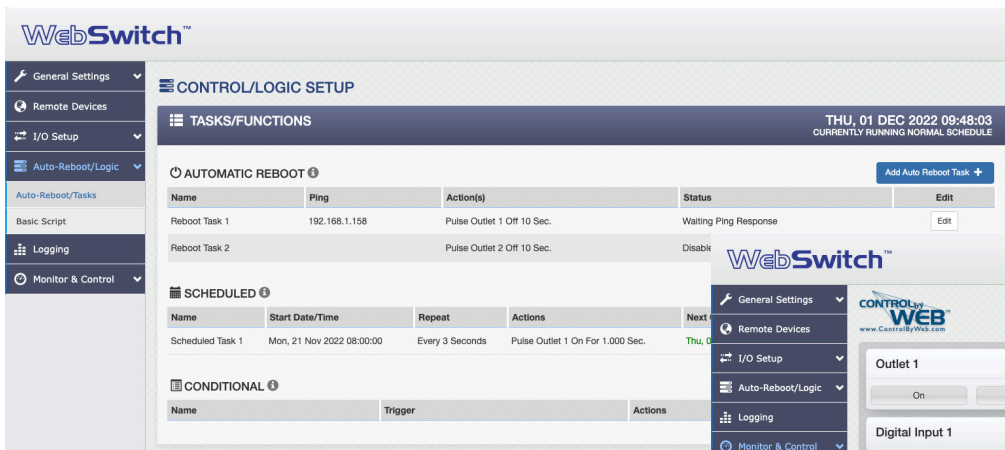
WebSwitch Plus™ is engineered to provide excellent performance for many years while running 24/7. You can have confidence using WebSwitch Plus™ when your critical applications demand reliability and integrity.



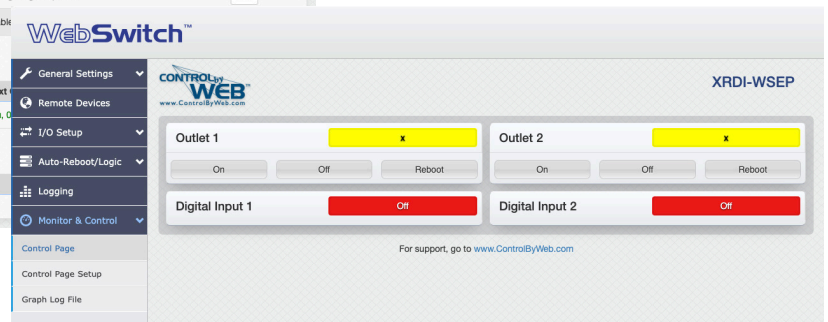
WebSwitch with optional Rack Mount Kit

Features:

- Control from a standard web browser - no special software required
- Automatic Reboot, use to reboot devices when ping responses fail
- Secure, built-in web server for configuration and remote monitoring; no external servers, services or subscriptions required
- Supports HTTP(S), SNMP, JSON, and Modbus TCP/IP
- "Remote Services" can be used to initiate connection with external servers and our optional ControlByWeb Cloud service
- Task Builder (50 Scheduled Tasks, 50 Conditional Tasks, 20 Reboot Tasks, 20 Override Schedules)
- Password protection
- IP filter provides simple firewall
- Operates worldwide (100-240V AC; 50/60Hz)
- Wall mountable or optional rack mounting kit available
- Up to sixteen temperature/humidity sensors
- Dry-contact sensors or switches can be connected for local control of outlets or monitoring external devices
- Real-time clock syncs with NTP server
- Event scheduler with yearly calendar
- Detailed log information for outlet changes, automatic reboots, temperatures, network traffic, and more



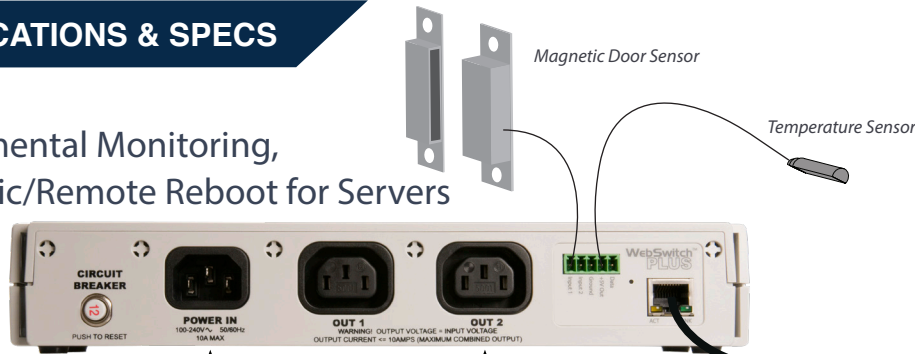
Auto-Reboot/Tasks



Control Panel

APPLICATIONS & SPECS

Environmental Monitoring,
Automatic/Remote Reboot for Servers



Models:

- XRDI-WSEP

Power Requirements

- Voltage: 100-240V AC (47-63Hz)
- Input Frequency: 47-63Hz
- Input Connector: IEC 320 Appliance Connector (C14 Male)
- Max Current: 10A *(DO NOT USE WEBSWITCH TO CONTROL MORE THAN 10 AMPS)*

Relay Contacts

- Number of Relays: 2
- Relay Connector: IEC C13 Female
- Contact Type: SPDT (Form 1C)
- Load Type: General Purpose
- Contact Resistance: < 30 milliohms initial
- Contact Material: AgSnO2
- Electrical Life: 100K cycles (Typical)
- Mechanical Life: 10M cycles (Typical)
- Environmental Rating: Over voltage Category II, Pollution Degree 2
- Relay Modes: ON/OFF or Pulse/Reboot
- Pulse Timer Duration: 0.1 to 86,400 Seconds (1-day)

Digital Inputs

- Number of Inputs: 2
- Type: Non-Isolated
- Voltage Range: 0-5VDC
- Current: 47K Pullup
- Minimum Hold Time: 20ms
- Input Isolation: Non-Isolated
- Input Functions: Emails Alerts, SNMP Traps

Temperature Sensors

- Maximum Number of Sensors: 16
- Type: Dallas Semiconductor DS18B20
- Temperature Range: -67°F to 257°F (-55°C to +125°C)
- Accuracy: ±0.5°C (from -10°C to +85°C)
- Sensor Functions: Monitor Temperature, Log Temperature, Email Alerts, SNMP Traps

Real-Time Clock

- Manual or NTP (Network Time Protocol) setup
- NTP Sync Period: Once, Daily, Weekly, On Power-up
- Auto Daylight Savings Adjustment
- Battery (capacitor) Power Backup

Capacitor Power Backup

- Backup Functions: Retain Real-Time Clock, External Variables, Outlet State.
- Backup Duration: 3 days minimum

Network

- Type: 10/100 Base-T Ethernet Port
- Setup: Static IP address assignment or DHCP, HTTP port selectable

Connectors

- Output Connectors: IEC 320 Appliance Connector (C13 Female)
- Network: 8-pin RJ-45
- Digital Inputs & Temperature: 5-Position Removable

LED Indicators

- Number of LEDs: 5
 - Power on
 - Out On 1-2
 - Network linked
 - Network activity

Physical

- Operating Temperature: -4°F to 104°F (-20°C to 40°C)
- Size:
 - 10.65 inches (27.11 cm) wide
 - 1.75 inches (4.44 cm) tall
 - 3.29 inches (8.36 cm) deep
- Weight: 1 lb. 3 oz. (542 grams)
- Enclosure Material: Lexan 940 Polycarbonate Plastic
- Enclosure Flame Rating: UL94 V0

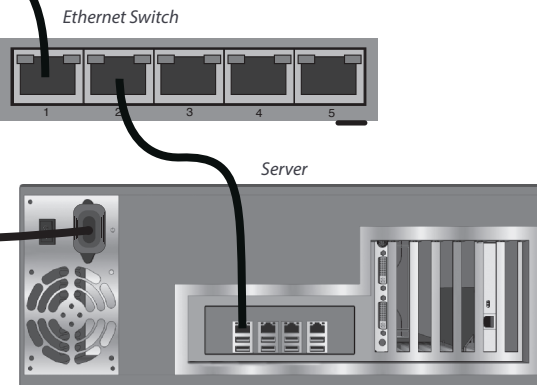
Logging

- Log File Size: 3,072-Kbyte (up to 50,688 logs)
- Storage: Nonvolatile Flash
- Buffer Architecture: Circular Buffer

Log data can be periodically read and stored on a computer

Additional Applications

- ✓ Reboot Network Devices
- ✓ Reboot Computers
- ✓ Remote Power Control
- ✓ More...



Protocols

- HTTP(S), JSON, XML, Modbus, JSON, SNMP, Remote Services

Password Settings

- Password protection on setup page: Yes
- Password protection on control page: Optional
- Password Encoding: Base 64

Electromagnetic Compliance:

- IEC CISPR 22, CISPR 24
- FCC 47CFR15
- EU EN55024, EN55022
- EN55022:2006: Class B
- EN61000-3-2
- EN61000-3-3
- EN55024:2006
- IEC 61000-4-2
- IEC 61000-4-3
- IEC 61000-4-4
- IEC 61000-4-5
- IEC 61000-4-6
- IEC 61000-4-8
- IEC 61000-4-11
- ITE-Class B

Product Safety Compliance

- CAN/CSA-C22.2 No. 60950-1-03 First Edition
- IEC 61010-1

